

IP69K FOOD GRADE PROXIMITY SENSORS  
AND WASHDOWN CABLES

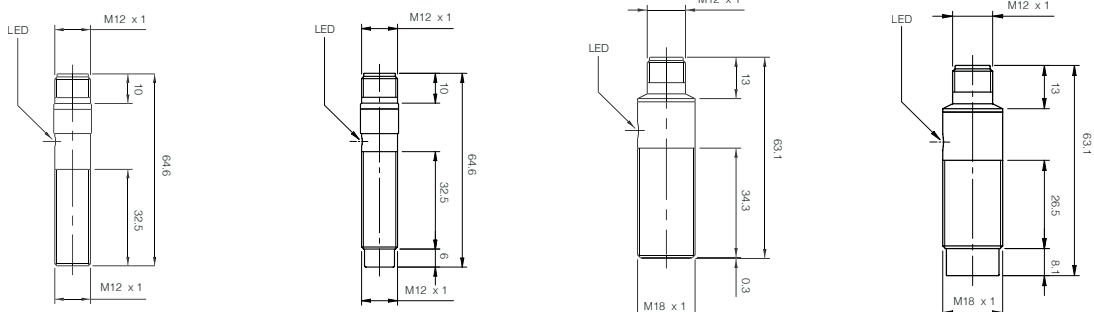
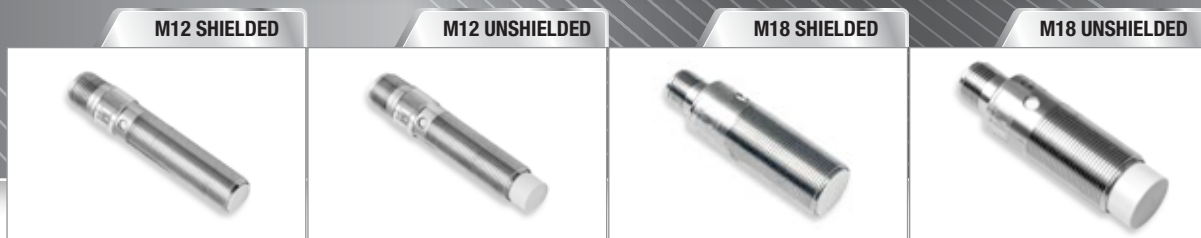
**HTM**<sup>TM</sup>  
**SENSORS**



- IP69K RATED SENSORS FOR FOOD, BEVERAGE, PHARMACEUTICAL AND OTHER WASHDOWN APPLICATIONS
- SUS 316 FOOD GRADE STAINLESS STEEL HOUSING
- EXTENDED RANGE IN SHIELDED OR UNSHIELDED MODELS
- AVAILABLE WITH MATCHING IP69K M12 CONNECTOR CABLES
- IDEAL FOR APPLICATIONS WITH HIGH PRESSURE AND CHEMICAL WASHDOWN

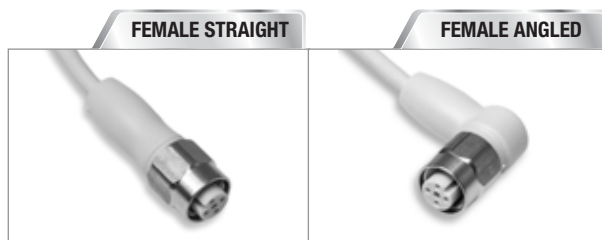


# IP69K FOOD GRADE PROXIMITY SENSORS AND WASHDOWN CABLES SPECIFICATIONS



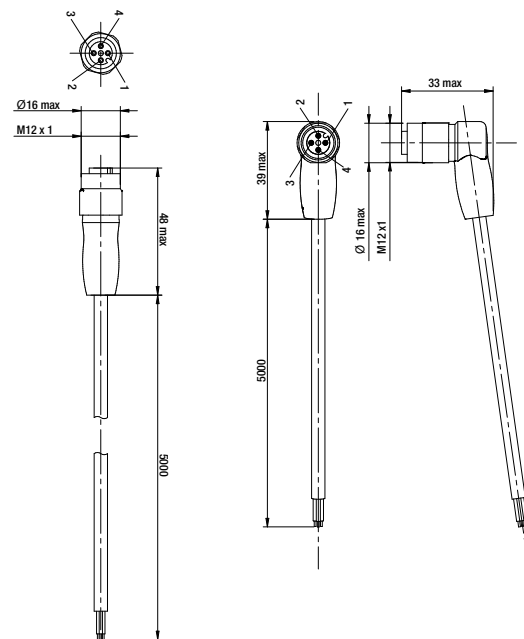
|                        |   |                           |                           |                           |
|------------------------|---|---------------------------|---------------------------|---------------------------|
| SENSING DISTANCE       | 4 mm  | 8 mm                      | 8 mm                      | 12 mm                     |
| OPERATING VOLTAGE      | 10-30 V DC  |                           |                           |                           |
| OPERATING TEMPERATURE  | -40 °C - +80 °C   |                           |                           |                           |
| HOUSING MATERIAL       | SUS 316 Stainless Steel with PPS thermoplastic Sensing Face |                           |                           |                           |
| IP RATING              | IP69K   |                           |                           |                           |
| SHIELDED PNP - NO/NC   | ECU1-1204P-SRU4-316-IP69K                                   |                           | ECU1-1808P-SRU4-316-IP69K |                           |
| UNSHIELDED PNP - NO/NC |   | ECU2-1208P-SRU4-316-IP69K |                           | ECU2-1812P-SRU4-316-IP69K |
| SHIELDED NPN - NO/NC   | ECU1-1204N-SRU4-316-IP69K                                   |                           | ECU1-1808N-SRU4-316-IP69K |                           |
| UNSHIELDED NPN - NO/NC |   | ECU2-1208N-SRU4-316-IP69K |                           | ECU2-1812N-SRU4-316-IP69K |

NOTE: Specifications subject to change without notification.



|                               |                                    |                       |
|-------------------------------|------------------------------------|-----------------------|
| PART NUMBER                   | R-FS4TZ-V075-SS-IP69K              | R-FA4TZ-V075-SS-IP69K |
| RATED CURRENT                 | 4 A                                |                       |
| OPERATING TEMPERATURE         | -40 °C - +105 °C                   |                       |
| LOCKING NUT / JACKET MATERIAL | Stainless Steel AISI316L / PP-EPDM |                       |
| IP RATING                     | IP69K                              |                       |
| NOMINAL TENSION               | MAX. 250 V AC/DC                   |                       |
| NUMBER OF BENDING CYCLES      | 4,000,000                          |                       |

NOTE: Specifications subject to change without notification.



IP69K RATED FOOD GRADE PROXIMITY SENSORS AND CABLES ARE THE BEST CHOICE FOR FOOD AND PACKAGING MACHINERY WHERE A RELIABLE AND COMPLETELY SEALED SENSOR AND CABLE IS REQUIRED FOR LONG-LASTING OPERATION IN A TOUGH ENVIRONMENT.