



Note: The product images shown may change over time as products are updated.

### Part Number

**OCN1-1808P-B3S2-PTFE-100C**

### Features

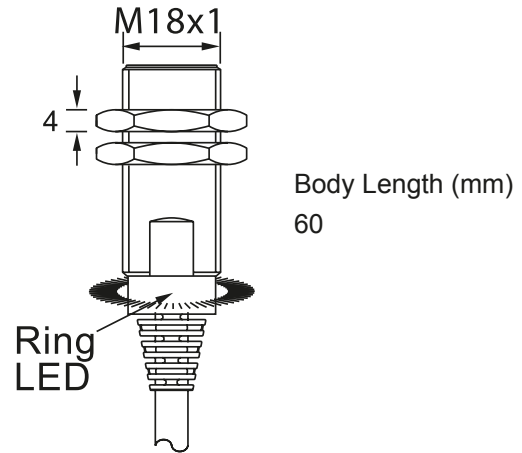
Inductive Proximity Sensors are used in a wide variety of manufacturing operations where a metal target needs to be sensed. HTM Sensors inductive proximity sensors have a Lifetime Warranty, a CSA or UL approval, and a huge inventory for same-day shipping. For tougher applications where the sensors need more range to stay out of harm's way, or to withstand high temperatures, weld spatter, chemical exposure, oil or other rough environments, HTM Sensors has the widest range of proximity sensors on the market.

### Connection

#### PNP Normally Closed



### Dimensions



### Technical Data

|                            |  |
|----------------------------|--|
| Body Style                 | Cylindrical                            |
| Sensor Housing Material    | SpatterGuard™ coated Brass             |
| Sensor Face Material       | PBT Plastic                            |
| Mounting Style             | Shielded                               |
| Diameter                   | 18 mm Threaded                         |
| Sensing Range:             | 8 mm Range                             |
| Output Type:               | PNP Output                             |
| Output Function            | Normally Closed Output                 |
| Connection                 | Pre-Three Wired Cable Connect          |
| Connector Type             | Cable                                  |
| Operating Voltage          | 10-30 VDC                              |
| Switching Frequency        | 500 Hz                                 |
| Operating Temperature      | -20 °C - +100 °C                       |
| Current Consumption        | <10 mA                                 |
| IP Rating:                 | IP67                                   |
| EMC Rating                 | RFI>3V/m / EFT>1kV / ESD>4Kv (contact) |
| Shock Rating:              | IEC 60497-5-2 Part 7.4.1&7.4.2         |
| Short Circuit Protected    | Yes                                    |
| Reverse Polarity Protected | Yes                                    |
| Max Current                | 200 mA                                 |
| Leakage Current            | <0.01 mA                               |
| Surge Current              | -                                      |
| Response Time              | 0.5 ms/0.5 ms                          |
| Hysteresis                 | <15%(Sr)                               |
| Overload Trip Point        | ≥220 mA                                |
| Weld Field Immune          | No                                     |
| Weld Spatter Resistant     | Yes - SpatterGuard™ Coated             |
| Body Length (mm)           | 60                                     |