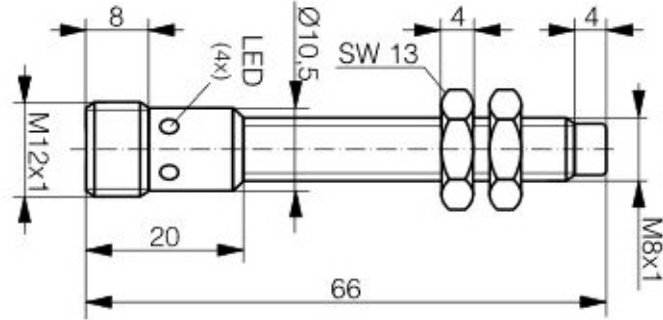




Note: The product images shown may change over time as products are updated.

Dimensions



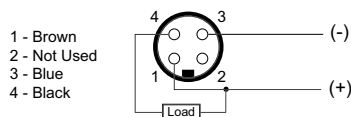
Part Number

LCS2-0806N-BRU4-AMS

Features

Inductive Proximity Sensors are used in a wide variety of manufacturing operations where a metal target needs to be sensed. HTM Sensors inductive proximity sensors have a Lifetime Warranty, a CSA or UL approval, and a huge inventory for same-day shipping. For tougher applications where the sensors need more range to stay out of harm's way, or to withstand high temperatures, weld spatter, chemical exposure, oil or other rough environments, HTM Sensors has the widest range of proximity sensors on the market.

Connection



- 1 - Brown
- 2 - Not Used
- 3 - Blue
- 4 - Black

Technical Data

|                            |                             |
|----------------------------|-----------------------------|
| Body Style                 | Cylindrical                 |
| Sensor Housing Material    | V2A Stainless Steel         |
| Sensor Face Material       | V2A Stainless Steel         |
| Mounting Style             | Un-Shielded                 |
| Diameter                   | 8 mm Threaded               |
| Sensing Range:             | 6 mm                        |
| Output Type:               | NPN                         |
| Output Function            | Normally Closed             |
| Connection                 | 4 Pin Quick Disconnect      |
| Connector Type             | M12 A Coded Connector       |
| Operating Voltage          | 10-30 V DC                  |
| Switching Frequency        | 700 Hz                      |
| Operating Temperature      | -25C to +85C                |
| Current Consumption        | <10 mA                      |
| IP Rating:                 | IP68                        |
| EMC Rating                 | IEC 60947-5-2 (7.2.3.1) 1Kv |
| Shock Rating:              | EC 60947-5-2 / 7.9          |
| Short Circuit Protected    | Yes                         |
| Reverse Polarity Protected | Yes                         |
| Max Current                | <200 mA                     |
| Leakage Current            | <0.1 mA                     |
| Surge Current              | N/A                         |
| Response Time              | <15 mS                      |
| Hysteresis                 | 0.15                        |
| Overload Trip Point        | 220 mA                      |
| Weld Field Immune          | No                          |
| Weld Spatter Resistant     | No                          |
| Body Length (mm)           | 66 mm                       |



In the USA: 1889 Maryland Ave., Niagara Falls, NY 14305  
 In Canada: 3419 Mainway, Burlington, ON L7M 1A9  
 Toll Free: 1-800-644-1756 • Fax: 888-283-2127  
 service@htmsensors.com