



Note: The product images shown may change over time as products are updated.



Part Number

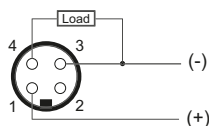
ECS1-3015P-BRU4-PTFE-120C-WFI-TC4

Features

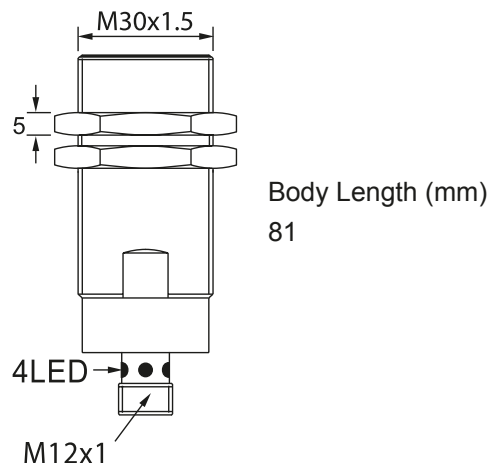
Inductive Proximity Sensors are used in a wide variety of manufacturing operations where a metal target needs to be sensed. HTM Sensors inductive proximity sensors have a Lifetime Warranty, a CSA or UL approval, and a huge inventory for same-day shipping. For tougher applications where the sensors need more range to stay out of harm's way, or to withstand high temperatures, weld spatter, chemical exposure, oil or other rough environments, HTM Sensors has the widest range of proximity sensors on the market.

Connection

- 1 - Brown
- 2 - Not Used
- 3 - Blue
- 4 - Black



Dimensions



Technical Data

| | |
|----------------------------|--|
| Body Style | Cylindrical |
| Sensor Housing Material | 1-Piece Titanium |
| Sensor Face Material | Titanium |
| Mounting Style | Shielded |
| Diameter | 30 mm Threaded |
| Sensing Range: | 15 mm Range |
| Output Type: | DC 3-Wire, PNP Output |
| Output Function | Normally Closed Output |
| Connection | 4-Pin Connector |
| Connector Type | M12x1 Quick-Connect |
| Operating Voltage | 10-30 VDC |
| Switching Frequency | ≤5 Hz |
| Operating Temperature | -25 °C - +120 °C |
| Current Consumption | <10 mA |
| IP Rating: | IP67 |
| EMC Rating | RFI>3V/m / EFT>1kV / ESD>4Kv (contact) |
| Shock Rating: | IEC 60497-5-2 Part 7.4.1&7.4.2 |
| Short Circuit Protected | Yes |
| Reverse Polarity Protected | Yes |
| Response Time | 0.1 ms/0.1 ms |
| Hysteresis | <15%(Sr) |
| Overload Trip Point | 220 mA |
| Weld Field Immune | Yes |
| Weld Spatter Resistant | Yes - Black SpatterGuard™ |
| Body Length (mm) | 81 |