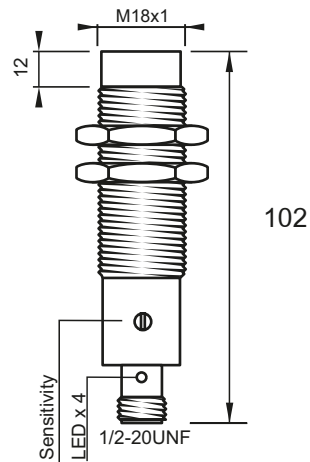




Note: The product images shown may change over time as products are updated.

Dimensions



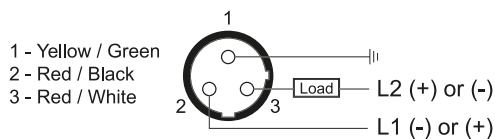
Part Number

CCU2-1815U-BUL3

Features

- Capacitive sensors for the reliable detection of liquids, plastics, powders, pellets and pastes
- Available in plastic or stainless steel housings
- Connectable with a pre-wired cable of any length or with a quick-connector
- Available with PNP, NPN, AC or AC/DC output functions
- Mountable with a shielded or unshielded construction with adjustable sensitivity

Connection



- 1 - Yellow / Green
- 2 - Red / Black
- 3 - Red / White

Technical Data

Sensing Type	Capacitive Sensor
Body Style	Cylindrical
Sensor Housing Material	Stainless steel
Sensor Face Material	PBT
Mounting Style	Non-Shielded
Diameter	18 mm
Sensing Range:	2-15 mm
Output Type:	AC-DC
Output Function	Normally Closed
Connection	Connect
Body Length	102
Operating Voltage	20-250 VAC/DC
Switching Frequency	25 Hz AC;40 Hz DC
Operating Temperature	-25 °C - +70 °C
Overload Trip Point	—
Hysteresis:	<15% (Sr)
IP Rating:	IP67
Shock Rating:	IEC 60947-5-2, Part 7.4.1/IEC 60947-5-2, Part 7.4.2
Short Circuit Protected	NO
Reverse Polarity Protected	NO
Connector Type	3-Pin MICRO Quick-Connect
Current Consumption	<2.5 mA



In the USA: 1889 Maryland Ave., Niagara Falls, NY 14305  
 In Canada: 3419 Mainway, Burlington, ON L7M 1A9  
 Toll Free: 1-800-644-1756 • Fax: 888-283-2127  
 service@htmsensors.com