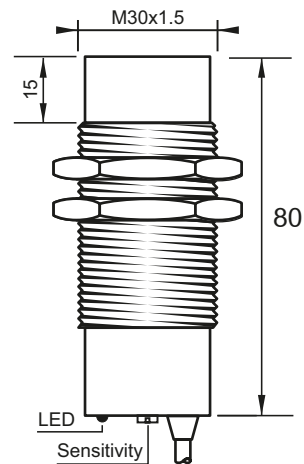




Note: The product images shown may change over time as products are updated.

Dimensions



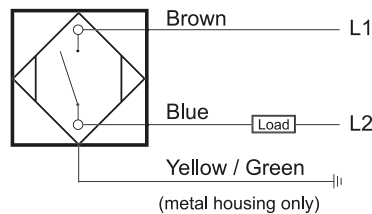
Part Number

CCM2-3030A-A3L5

Features

- Capacitive sensors for the reliable detection of liquids, plastics, powders, pellets and pastes
- Available in plastic or stainless steel housings
- Connectable with a pre-wired cable of any length or with a quick-connector
- Available with PNP, NPN, AC or AC/DC output functions
- Mountable with a shielded or unshielded construction with adjustable sensitivity

Connection



Technical Data

|                            |   |
|----------------------------|---|
| Sensing Type               | Capacitive Sensor                                   |
| Body Style                 | Cylindrical   |
| Sensor Housing Material    | Chrome Plated Brass                                 |
| Sensor Face Material       | PBT   |
| Mounting Style             | Non-Shielded  |
| Diameter                   | 30 mm   |
| Sensing Range:             | 2-30 mm   |
| Output Type:               | AC  |
| Output Function            | Normally Open                                       |
| Connection                 | Pre-Wired Cable                                     |
| Body Length                | 80  |
| Operating Voltage          | 20-250 VAC  |
| Switching Frequency        | 25 Hz   |
| Operating Temperature      | -25 °C - +70 °C                                     |
| Overload Trip Point        | —   |
| Hysteresis:                | <15% (Sr)   |
| IP Rating:                 | IP67  |
| Shock Rating:              | IEC 60947-5-2, Part 7.4.1/IEC 60947-5-2, Part 7.4.2 |
| Short Circuit Protected    | NO  |
| Reverse Polarity Protected | NO  |
| Connector Type             | N_A   |
| Current Consumption        | <2.5 mA   |

