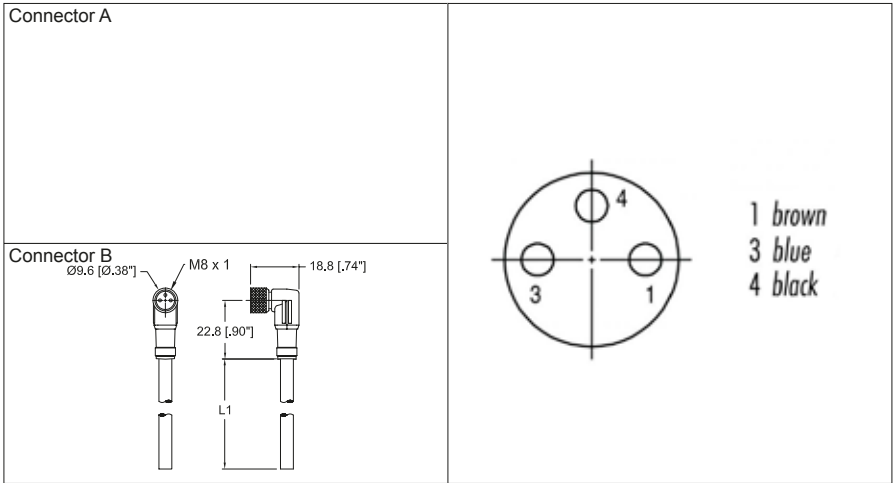




Note: The product images shown may change over time as products are updated.

Dimensions

Connection



Part Number

C-FA3TZ-V8810

Features

HTM Sensors stocks thousands of sensor cables for convenient same-day-shipping. Standard M8 and M12 cables have the best prices in the industry and are always available and in stock for customer requirements.

New advances in sensor cables allow for extended durability and longevity in the harshest environments.

Technical Data

| | |
|-------------------|--------------------------|
| Cable Type | Single Ended Cable |
| Connector A | |
| Connector B | M8 A-Coded Female Angled |
| Length (m) | 10 m |
| Locking System | Screw Lock |
| Rated Current | 4A |
| Rated Voltage | 30 V AC / DC |
| Wire Gauge | 22 AWG |
| Stranding | 0.1x32 |
| Contact Carrier | TPU |
| Molded Body | TPU |
| Contact Material | CuSn |
| Contact Plating | Au |
| Jacket Type | PVC |
| Coupling Nut | CuZn |
| Protection Class | IP 67 |
| Temperature Range | -30 C - +80 C |



In the USA: 1889 Maryland Ave., Niagara Falls, NY 14305
 In Canada: 3419 Mainway, Burlington, ON L7M 1A9
 Toll Free: 1-800-644-1756 • Fax: 888-283-2127
 service@htmsensors.com