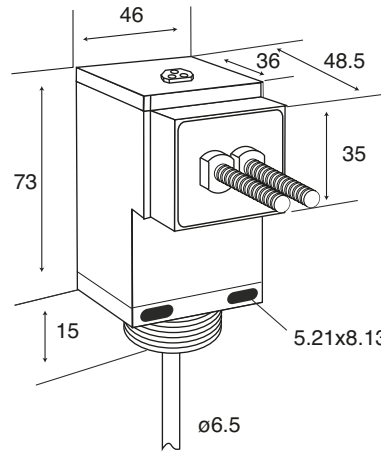




Note: The product images shown may change over time as products are updated.

Diagram



Part Number

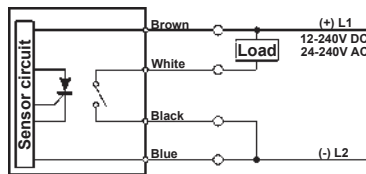
RP74-FPFS-CY6C4L2-T

Features

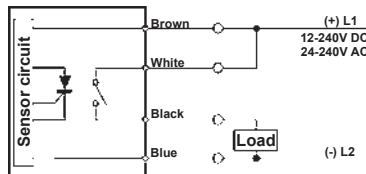
Photoelectric sensors are used in virtually any manufacturing process with moving parts to detect products, machine parts, and a wide variety of moving objects.

For additional information, contact HTM Sensors at 800-644-1756 or [service@htmsensors.com](mailto:service@htmsensors.com)

Connection



OR



Technical Data

|                               |                                                                                       |
|-------------------------------|---------------------------------------------------------------------------------------|
| Sensing Range                 | Depends on Fiber used                                                                 |
| Field of View                 | Depends on Fiber used                                                                 |
| Light Source                  | Red LED 660 nm                                                                        |
| Indicator LEDs                | Power: Yellow Output: Green Margin: Red                                               |
| Output Type                   | SPST Solid State                                                                      |
| Supply Voltage                | 20-240VAC/12-240VDC                                                                   |
| Response Time                 |                                                                                       |
| Max. Load Current             | 300 mA                                                                                |
| No Load Current               | <30 mA                                                                                |
| Max. Leakage Current          | 1 mA at 240VAC                                                                        |
| Operation Mode                | Light On or Dark on Selectable via Switch                                             |
| Housing Material              | Glass Fiber Reinforced Plastic                                                        |
| Lens Material                 | Acrylic                                                                               |
| Cover Gasket Material         | Neoprene                                                                              |
| IP Rating                     | IP67                                                                                  |
| Time Options                  | No Delay, On Delay, Off Delay, One Shot selectable via switch                         |
| Ambient Operating Temperature | -25 °C to +55 °C                                                                      |
| Storage Temperature           | -40 °C to +70 °C                                                                      |
| Relative Humidity             | 5%-95%                                                                                |
| EMC Rating                    | IEC 60947-5-2, Parts 7.2.6.1.2.3 or RFI>3V/m(in30-1000MHZ), ETF>1KV, ESD>4KV(contact) |
| Vibration Resistance          | IEC 60947-5-2, Part 7.4.2 (10-55HZ, 1mm amplitude in x,y and z directions for 30 min) |
| Shock Resistance              | IEC-60947-5-2 Part 7.4.1 (30g, 11ms in x, y, and z directions for six times)          |
| Cable or Connector            | 2 m 6.1 mm dia PVC jacket 4 core x 0.5 mm $\leq$                                      |



In the USA: 1889 Maryland Ave., Niagara Falls, NY 14305  
 In Canada: 3419 Mainway, Burlington, ON L7M 1A9  
 Toll Free: 1-800-644-1756 • Fax: 888-283-2127  
[service@htmsensors.com](mailto:service@htmsensors.com)