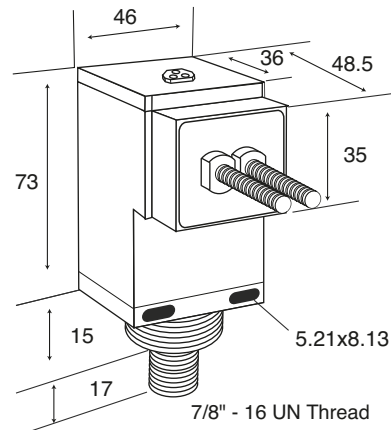




Note: The product images shown may change over time as products are updated.

Diagram



Part Number

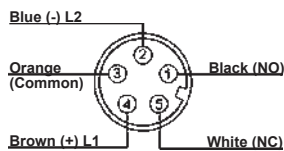
RP74-FPFR-CY6Q5LN

Features

Photoelectric sensors are used in virtually any manufacturing process with moving parts to detect products, machine parts, and a wide variety of moving objects.

For additional information, contact HTM Sensors at 800-644-1756 or [service@htmsensors.com](mailto:service@htmsensors.com)

Connection



Technical Data

|                               |   |
|-------------------------------|---|
| Sensing Range                 | Depends on Fiber used   |
| Field of View                 | Depends on Fiber used   |
| Light Source                  | Red LED 660 nm  |
| Indicator LEDs                | Power: Yellow Output: Green Margin: Red   |
| Output Type                   | SPDT Electromechanical Relay  |
| Supply Voltage                | 20-240VAC/12-240VDC   |
| Response Time                 |   |
| Max. Load Current             | 10 A at 120VAC, 5 A at 240VAC   |
| No Load Current               | <30 mA  |
| Max. Leakage Current          | N/A   |
| Operation Mode                | Light On or Dark on Selectable via Switch   |
| Housing Material              | Glass Fiber Reinforced Plastic  |
| Lens Material                 | Acrylic   |
| Cover Gasket Material         | Neoprene  |
| IP Rating                     | IP67  |
| Time Options                  | N/A   |
| Ambient Operating Temperature | -25 °C to +55 °C  |
| Storage Temperature           | -40 °C to +70 °C  |
| Relative Humidity             | 5%-95%  |
| EMC Rating                    | IEC 60947-5-2, Parts 7.2.6.1.2.3 or RFI>3V/m(in30-1000MHZ), ETF>1KV, ESD>4KV(contact) |
| Vibration Resistance          | IEC 60947-5-2, Part 7.4.2 (10-55HZ, 1mm amplitude in x,y and z directions for 30 min) |
| Shock Resistance              | IEC-60947-5-2 Part 7.4.1 (30g, 11ms in x, y, and z directions for six times)          |
| Cable or Connector            | 5-Pin 7/8 Male Mini QD  |



In the USA: 1889 Maryland Ave., Niagara Falls, NY 14305  
 In Canada: 3419 Mainway, Burlington, ON L7M 1A9  
 Toll Free: 1-800-644-1756 • Fax: 888-283-2127  
[service@htmsensors.com](mailto:service@htmsensors.com)