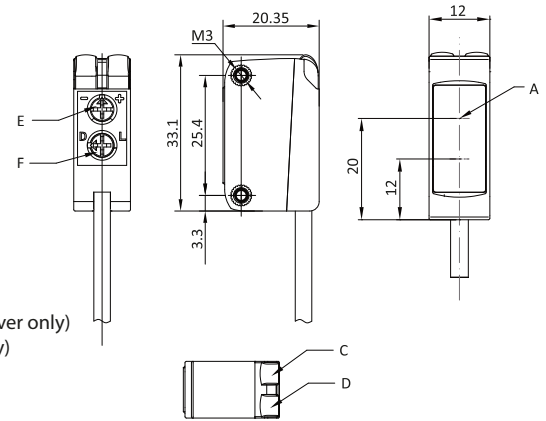




Note: The product images shown may change over time as products are updated.

Dimensions

Opposed  
 A: Receiver, emitter  
 C: Output indicator  
 D: Steady state indicator  
 E: Distance adjustment knob (Receiver only)  
 F: Adjustor for LO/DO (Receiver only)



Part Number

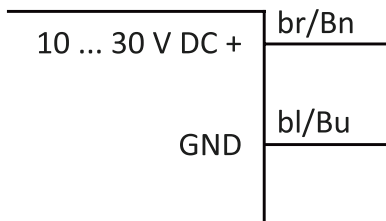
H31-TTX-30000D-2M

Features

Photoelectric sensors are used in virtually any manufacturing process with moving parts to detect products, machine parts, and a wide variety of moving objects.

For additional information, contact HTM Sensors at 800-644-1756 or [service@htmsensors.com](mailto:service@htmsensors.com)

Connection



Technical Data

Sensing Range	30 m
Light Source	Red Laser (650 nm) Class 1
Light Spot Size	3 mm @ 500 mm, 25 mm @ 15m
Indicator LEDs	Power: Green
IO-Link	No
Supply Voltage	10-30 V DC
Max. Load Current	-
No Load Current	<= 25 mA
Short Circuit Protection	Yes
Reverse Polarity Protection	Yes
Output Type	-
Operation Mode	-
Switching Frequency	-
Sensitivity Adjustment	No
Housing Material	PC+PBT
Lens Material	PC
IP Rating	IP67
Timer Options	-
Ambient Operating Temperature	-20 C to +60 C
Vibration Resistance	EN 60068-2-18
Shock Resistance	EN 60068-2-27
Cable or Connector	2 m Cable

