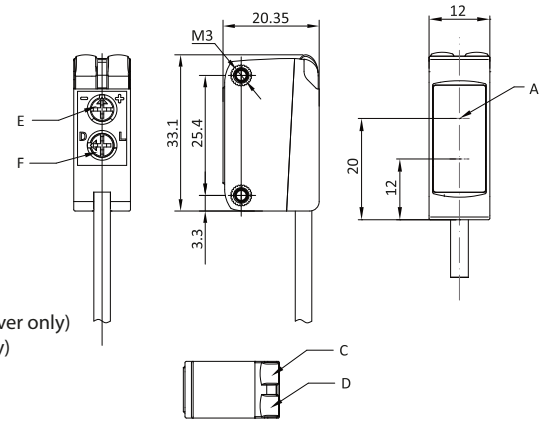




Note: The product images shown may change over time as products are updated.

Dimensions



- Opposed
 A: Receiver, emitter
 C: Output indicator
 D: Steady state indicator
 E: Distance adjustment knob (Receiver only)
 F: Adjustor for LO/DO (Receiver only)

Part Number

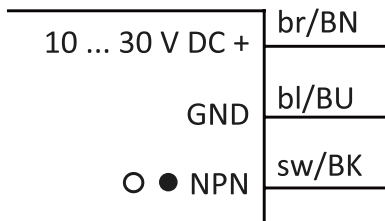
H31-TRX-30000N-SA-2M

Features

Photoelectric sensors are used in virtually any manufacturing process with moving parts to detect products, machine parts, and a wide variety of moving objects.

For additional information, contact HTM Sensors at 800-644-1756 or service@htmsensors.com

Connection



Technical Data

Sensing Range	30 m
Light Source	-
Light Spot Size	-
Indicator LEDs	Output: Red Steady State: Green
IO-Link	No
Supply Voltage	10-30 V DC
Max. Load Current	<= 100 mA
No Load Current	<= 25 mA
Short Circuit Protection	Yes
Reverse Polarity Protection	Yes
Output Type	NPN
Operation Mode	Light On / Dark On Selectable by Switch
Switching Frequency	800 Hz
Sensitivity Adjustment	Yes
Housing Material	PC+PBT
Lens Material	PC
IP Rating	IP67
Timer Options	-
Ambient Operating Temperature	-20 C to +60 C
Vibration Resistance	EN 60068-2-20
Shock Resistance	EN 60068-2-27
Cable or Connector	2 m Cable

