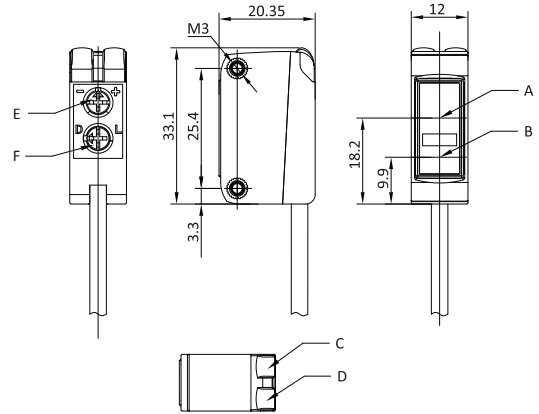




Note: The product images shown may change over time as products are updated.

**Dimensions**



Polarized retro-reflective  
 A: Receiver  
 B: Emitter  
 C: Output indicator  
 D: Steady state indicator  
 E: Distance adjustment knob  
 F: Adjustor for LO/DO

**Part Number**

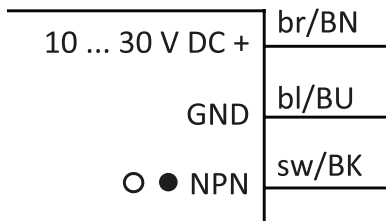
**H31-PRET-3000N-SA-2M**

**Features**

Photoelectric sensors are used in virtually any manufacturing process with moving parts to detect products, machine parts, and a wide variety of moving objects.

For additional information, contact HTM Sensors at 800-644-1756 or [service@htmsensors.com](mailto:service@htmsensors.com)

**Connection**



**Technical Data**

Sensing Range	5 m
Light Source	Red Laser (650 nm) Class 1
Light Spot Size	3 mm @ 500 mm, 8 mm @ 5m
Indicator LEDs	Output: Red Steady State: Green
IO-Link	No
Supply Voltage	10-30 V DC
Max. Load Current	<= 100 mA
No Load Current	<= 25 mA
Short Circuit Protection	Yes
Reverse Polarity Protection	Yes
Output Type	NPN
Operation Mode	Light On / Dark On Selectable by Switch
Switching Frequency	800 Hz
Sensitivity Adjustment	Yes
Housing Material	PC+PBT
Lens Material	PC
IP Rating	IP67
Timer Options	-
Ambient Operating Temperature	-20 C to +60 C
Vibration Resistance	EN 60068-2-28
Shock Resistance	EN 60068-2-27
Cable or Connector	2 m Cable

