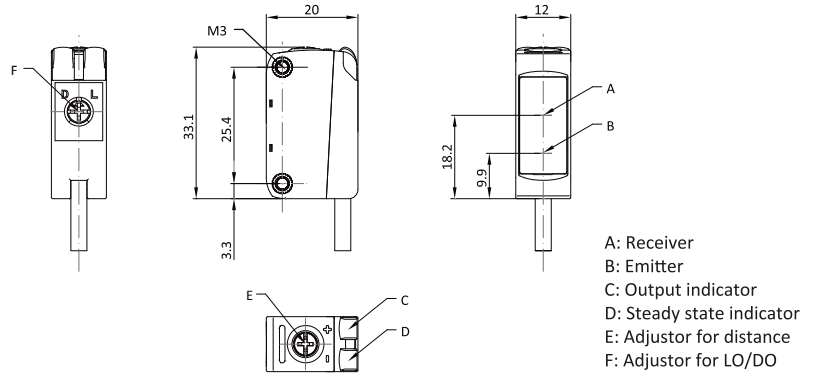




Note: The product images shown may change over time as products are updated.

**Dimensions**



**Part Number**

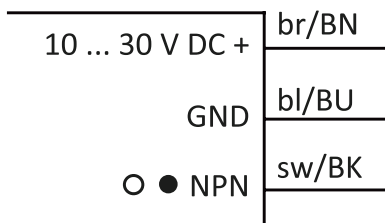
**H31-BGS-0350N-SA-2M**

**Features**

Photoelectric sensors are used in virtually any manufacturing process with moving parts to detect products, machine parts, and a wide variety of moving objects.

For additional information, contact HTM Sensors at 800-644-1756 or [service@htmsensors.com](mailto:service@htmsensors.com)

**Connection**



**Technical Data**

Sensing Range	6-350 mm
Light Source	Red Laser (650 nm) Class 1
Light Spot Size	2 mm @ 350 mm
Indicator LEDs	Output: Red Steady State: Green
IO-Link	No
Supply Voltage	10-30 V DC
Max. Load Current	<= 100 mA
No Load Current	<= 25 mA
Short Circuit Protection	Yes
Reverse Polarity Protection	Yes
Output Type	NPN
Operation Mode	Light On / Dark On Selectable by Switch
Switching Frequency	300 Hz
Sensitivity Adjustment	Yes
Housing Material	PC+PBT
Lens Material	PC
IP Rating	IP67
Timer Options	-
Ambient Operating Temperature	-20 C to +60 C
Vibration Resistance	EN 60068-2-13
Shock Resistance	EN 60068-2-27
Cable or Connector	2 m Cable

