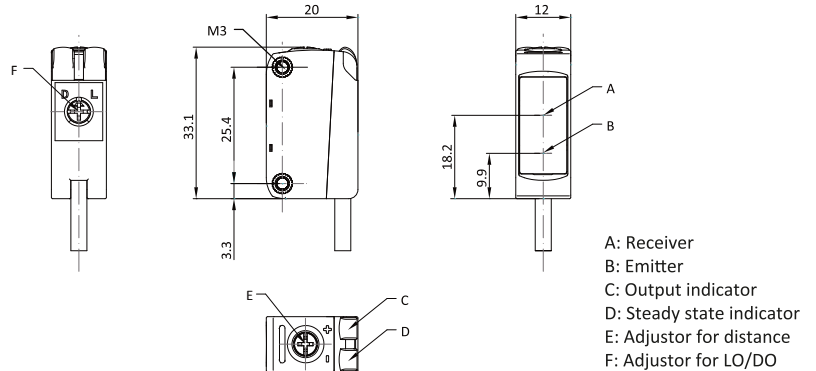




Note: The product images shown may change over time as products are updated.

**Dimensions**



**Part Number**

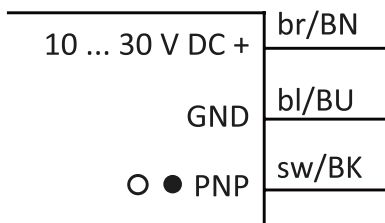
**H31-BGS-0150P-SA-2M**

**Features**

Photoelectric sensors are used in virtually any manufacturing process with moving parts to detect products, machine parts, and a wide variety of moving objects.

For additional information, contact HTM Sensors at 800-644-1756 or [service@htmsensors.com](mailto:service@htmsensors.com)

**Connection**



**Technical Data**

|                               |   |
|-------------------------------|---|
| Sensing Range                 | 6-150 mm                                |
| Light Source                  | Red Laser (650 nm) Class 1              |
| Light Spot Size               | 1.5 mm @ 150 mm                         |
| Indicator LEDs                | Output: Red Steady State: Green         |
| IO-Link                       | No                                      |
| Supply Voltage                | 10-30 V DC                              |
| Max. Load Current             | <= 100 mA                               |
| No Load Current               | <= 25 mA                                |
| Short Circuit Protection      | Yes                                     |
| Reverse Polarity Protection   | Yes                                     |
| Output Type                   | PNP                                     |
| Operation Mode                | Light On / Dark On Selectable by Switch |
| Switching Frequency           | 300 Hz                                  |
| Sensitivity Adjustment        | Yes                                     |
| Housing Material              | PC+PBT                                  |
| Lens Material                 | PC                                      |
| IP Rating                     | IP67                                    |
| Timer Options                 | -                                       |
| Ambient Operating Temperature | -20 C to +60 C                          |
| Vibration Resistance          | EN 60068-2-6                            |
| Shock Resistance              | EN 60068-2-27                           |
| Cable or Connector            | 2 m Cable                               |

