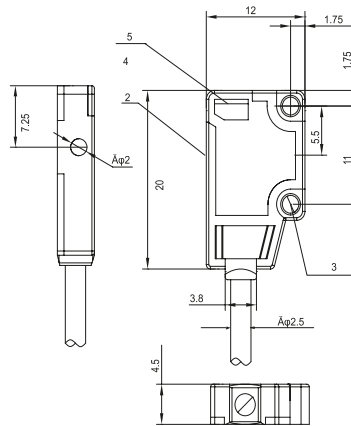




Note: The product images shown may change over time as products are updated.

Dimensions



1	Emitter optic axis
2	Receiver optic axis
3	Mounting hole ϕ 2mm
4	Green LED: power on
5	Red LED: on/off
6	Connection: 2m cable

Part Number

H10-TSRX-1000P-DO-M8-3P0.3

Features

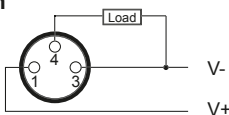
Photoelectric sensors are used in virtually any manufacturing process with moving parts to detect products, machine parts, and a wide variety of moving objects.

For additional information, contact HTM Sensors at 800-644-1756 or service@htmsensors.com

Connection

PNP Dark-On

- 1 - Brown
- 3 - Blue
- 4 - Black



Technical Data

Light Source	-
Light Spot Size	-
Indicator LEDs	Output: Red Power: Green
IO-Link	No
Supply Voltage	10-30 V DC
Max. Load Current	\leq 50 mA
No Load Current	\leq 20 mA
Short Circuit Protection	Yes
Reverse Polarity Protection	Yes
Output Type	PNP
Operation Mode	Dark On
Response Time 1	\leq 2ms
Sensitivity Adjustment	-
Housing Material	PC+PBT
Lens Material	PC
IP Rating	IP67
Timer Options	-
Ambient Operating Temperature	-10 C to +55 C
Vibration Resistance	IEC 60947-5-2
Shock Resistance	IEC 60947-5-2
Cable or Connector	3-Pin M8 Male Pigtail 0.3 m



In the USA: 1889 Maryland Ave., Niagara Falls, NY 14305
 In Canada: 3419 Mainway, Burlington, ON L7M 1A9
 Toll Free: 1-800-644-1756 • Fax: 888-283-2127
service@htmsensors.com