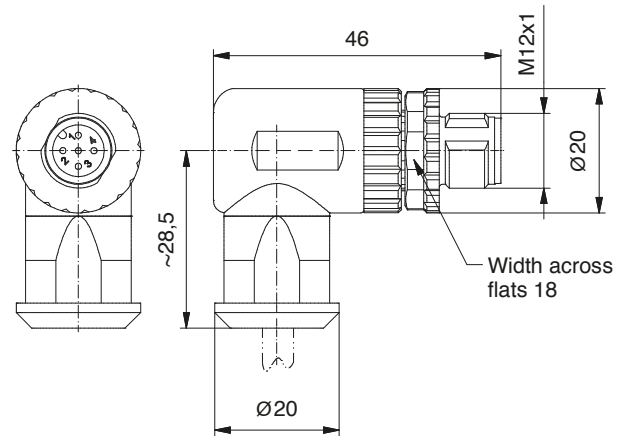




Note: The product images shown may change over time as products are updated.

Dimensions



Part Number

FC-12MA4P-PG7/9

Features

- Quick cable repairs and connections
- Metal screw terminals for a tight connection
- Compatible with DeviceNet block connections

Technical Data

Connector Type	M12 A-Coded Male Angled
Number of Poles	4
Cable	4-8 mm
Connection Type	Screw Terminal
Body	PA6 + GlassFiber
Contact Insert	PA6
Contact	Au Plated CuZn
O-Ring	NBR
Coupling Nut	GD-Zn, Ni Plated
Rated Voltage	250 V
Rated Current	4 A
Protection Class	IP67
Temperature Range	-30 °C to +85 °C
Wire Gauge	18 AWG max