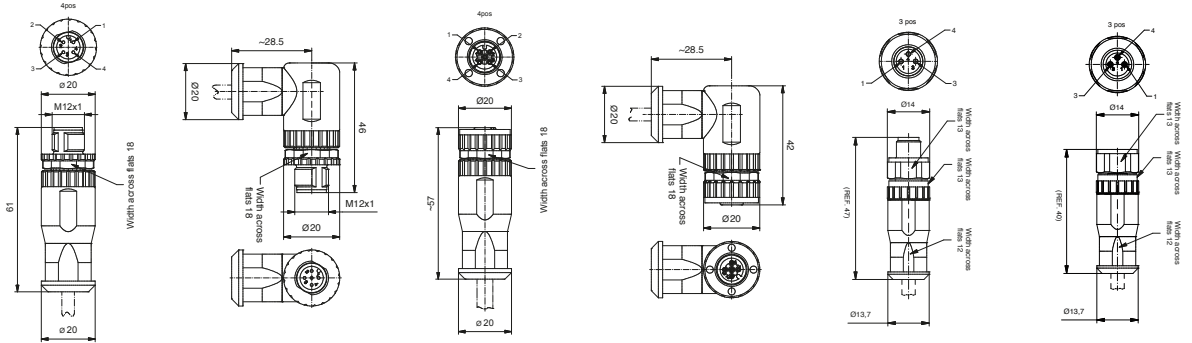


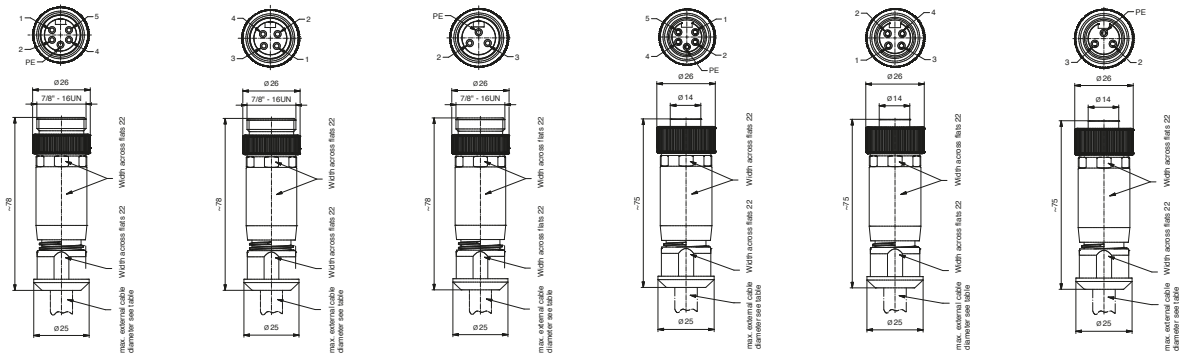
- FIELD CONNECTORS FOR QUICK CABLE REPAIRS AND CONNECTIONS
- LOW PRICES WITH THOUSANDS IN STOCK FOR SAME-DAY SHIPPING
- METAL SCREW TERMINALS FOR A TIGHT CONNECTION
- AVAILABLE IN M12, M8 AND MINI SIZES
- PERFECT SOLUTION TO MATE CABLES TO DISTRIBUTION BLOCKS
- COMPATIBLE WITH DEVICENET BLOCK CONNECTIONS

FIELD CONNECTORS SPECIFICATIONS



PROTECTION	IP67					
CONNECTION MODE	Screw Clamps					
PART NUMBERS						
M12 Micro - 4-Pin *	FC-12MS4P-PG7/9	FC-12MA4P-PG7/9	FC-12FS4P-PG7/9	FC-12FA4P-PG7/9		
M8 Pico - 3-Pin					FC-08MS3P-PG7	FC-08FS3P-PG7
M8 Pico - 4-Pin					FC-08MS4P-PG7	FC-08FS4P-PG7

* M12 Micro - 4-Pin connectors can be utilized in PG7 and PG9 applications. Stock one part for both sizes.



PROTECTION	IP67					
CONNECTION MODE	Screw Clamps					
PART NUMBERS						
7/8" Mini Field Connectors	FC-78MS5P-PG9	FC-78MS4P-PG9	FC-78MS3P-PG9	FC-78FS5P-PG9	FC-78FS4P-PG9	FC-78FS3P-PG9

* 7/8" Mini connectors can be utilized in PG9, PG11 and PG13.5 applications. Stock one part for all sizes.

FIELD CONNECTORS ARE A QUICK AND INEXPENSIVE SOLUTION TO FIELD REPAIRS OF CABLES AND CONNECTIONS TO DISTRIBUTION BLOCKS.