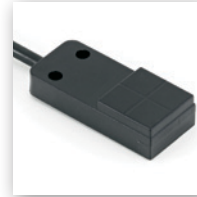
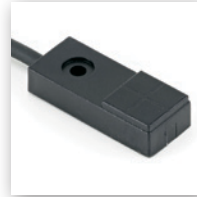
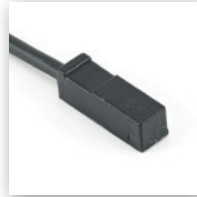


MINI FIXED-MOUNT SENSORS

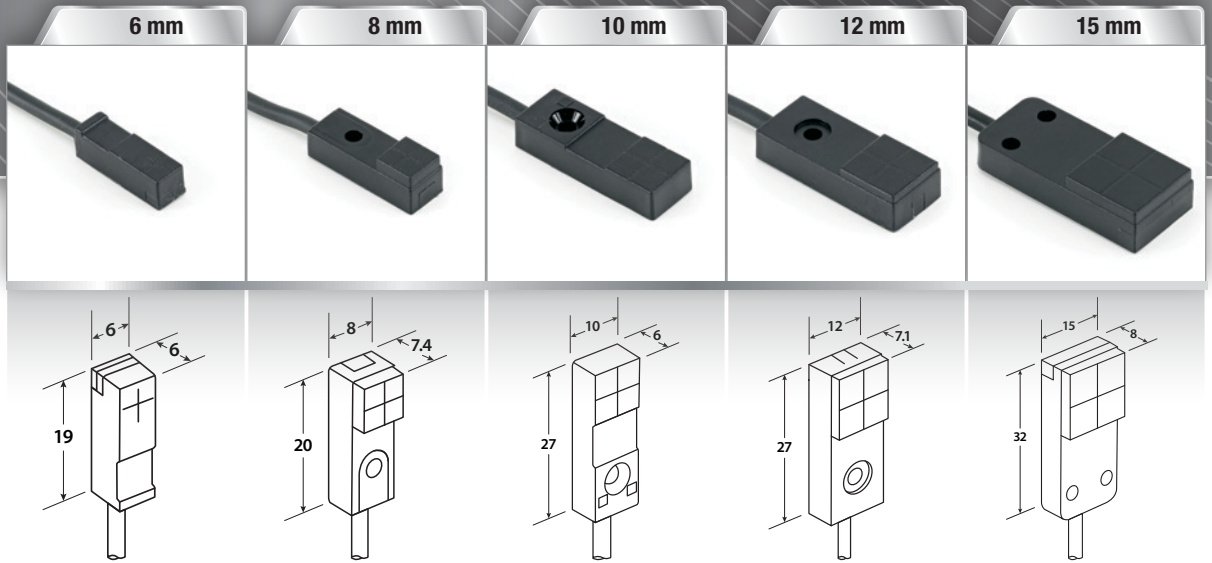
**HTM**<sup>TM</sup>  
**SENSORS**



- MINIATURE PROXIMITY SENSORS FOR TIGHT MOUNTING SPACES
- IDEAL FOR USE IN STAMPING DIES FOR IN-DIE SENSING
- MOUNTING HOLE PROVIDES EASY INSTALLATION
- FIXED MOUNT SENSORS OFFER REPEATABLE INSTALLATION DISTANCE
- 5 m CABLE OR PIGTAIL CONNECTOR VERSIONS AVAILABLE FROM STOCK
- AVAILABLE IN PNP, NPN AND DC 2-WIRE OUTPUT FUNCTIONS



# MINI FIXED-MOUNT SENSORS SPECIFICATIONS



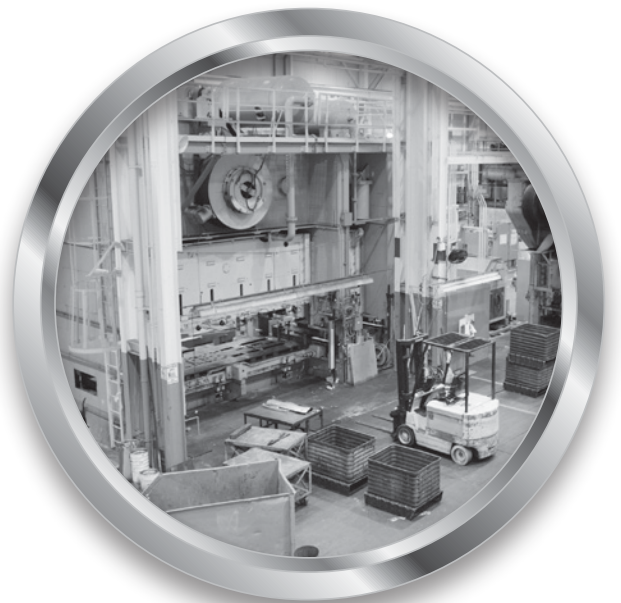
DIMENSIONS (mm)	6 W x 6 H x 19 L	8 W x 7.4 H x 20 L	10 W x 6 H x 27 L	12 W x 7.1 H x 27 L	15 W x 8 H x 32 L
SENSING DISTANCE	1.5 mm	2.5 mm	2 mm	2 mm	4 mm
<b>PART NUMBERS</b>					
DC 3-wire 10-30 V PNP - Open	MQP2-661.2P-A3L5F	MQP2-882.5P-A3L5F	MQP2-1002P-A3L5F	MQP2-1202P-A3L5F	MQP2-1504P-A3L5F
DC 3-wire 10-30 V PNP - Closed	MQP2-661.2P-B3L5F	MQP2-882.5P-B3L5F	MQP2-1002P-B3L5F	MQP2-1202P-B3L5F	MQP2-1504P-B3L5F
DC 3-wire 10-30 V NPN - Open	MQP2-661.2N-A3L5F	MQP2-882.5N-A3L5F	MQP2-1002N-A3L5F	MQP2-1202N-A3L5F	MQP2-1504N-A3L5F
DC 3-wire 10-30 V NPN - Closed	MQP2-661.2N-B3L5F	MQP2-882.5N-B3L5F	MQP2-1002N-B3L5F	MQP2-1202N-B3L5F	MQP2-1504N-B3L5F
DC 2-wire 10-30 V - Open	MQP2-661.2C-A3L5F	MQP2-882.5C-A3L5F	MQP2-1002C-A3L5F	MQP2-1202C-A3L5F	MQP2-1504C-A3L5F
DC 2-wire 10-30 V - Closed	MQP2-661.2C-B3L5F	MQP2-882.5C-B3L5F	MQP2-1002C-B3L5F	MQP2-1202C-B3L5F	MQP2-1504C-B3L5F

MINI FIXED-MOUNT SENSORS ARE IDEAL FOR TIGHT SPACES AND FOR APPLICATIONS THAT REQUIRE A REPEATABLE MOUNTING PLACEMENT.



In Canada: 3419 Mainway, Burlington, ON L7M 1A9  
 In the USA: 1889 Maryland Ave., Niagara Falls, NY 14304  
 Toll Free: 1-800-644-1756  
 service@htmsensors.com

Proudly Supported by



TOLL FREE: 1-800-644-1756