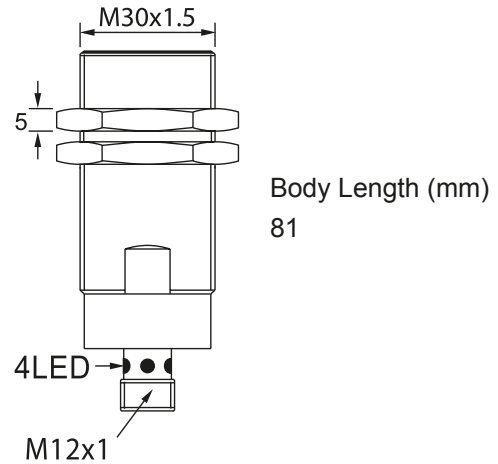




Note: The product images shown may change over time as products are updated.



Dimensions



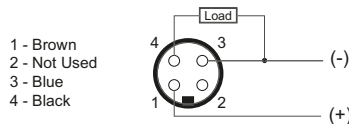
Part Number

ECS1-3015P-ARU4-PTFE-120C-WFI

Features

Inductive Proximity Sensors are used in a wide variety of manufacturing operations where a metal target needs to be sensed. HTM Sensors inductive proximity sensors have a Lifetime Warranty, a CSA or UL approval, and a huge inventory for same-day shipping. For tougher applications where the sensors need more range to stay out of harm's way, or to withstand high temperatures, weld spatter, chemical exposure, oil or other rough environments, HTM Sensors has the widest range of proximity sensors on the market.

Connection



- 1 - Brown
- 2 - Not Used
- 3 - Blue
- 4 - Black

Technical Data

| | |
|----------------------------|--|
| Body Style | Cylindrical |
| Sensor Housing Material | 1-Piece Stainless Steel |
| Sensor Face Material | Stainless Steel |
| Mounting Style | Shielded |
| Diameter | 30 mm Threaded |
| Sensing Range: | 15 mm Range |
| Output Type: | DC 3-Wire, PNP Output |
| Output Function | Normally Open Output |
| Connection | 4-Pin Connector |
| Connector Type | M12x1 Quick-Connect |
| Operating Voltage | 10-30 VDC |
| Switching Frequency | ≤5 Hz |
| Operating Temperature | -25 °C - +120 °C |
| Current Consumption | <10 mA |
| IP Rating: | IP67 |
| EMC Rating | RFI>3V/m / EFT>1kV / ESD>4Kv (contact) |
| Shock Rating: | IEC 60497-5-2 Part 7.4.1&7.4.2 |
| Short Circuit Protected | Yes |
| Reverse Polarity Protected | Yes |
| Response Time | 0.1 ms/0.1 ms |
| Hysteresis | <15%(Sr) |
| Overload Trip Point | 220 mA |
| Weld Field Immune | Yes |
| Weld Spatter Resistant | Yes - Black SpatterGuard™ |
| Body Length (mm) | 81 |



In the USA: 1889 Maryland Ave., Niagara Falls, NY 14305
 In Canada: 3419 Mainway, Burlington, ON L7M 1A9
 Toll Free: 1-800-644-1756 • Fax: 888-283-2127
 service@htmsensors.com