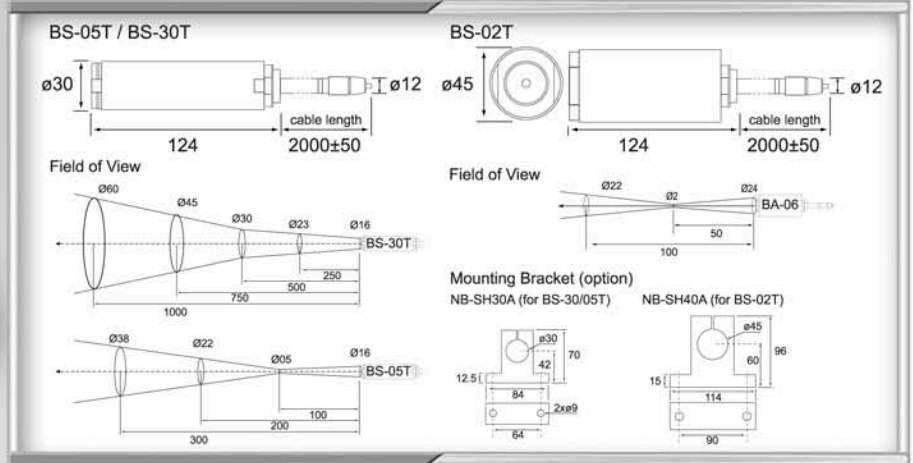


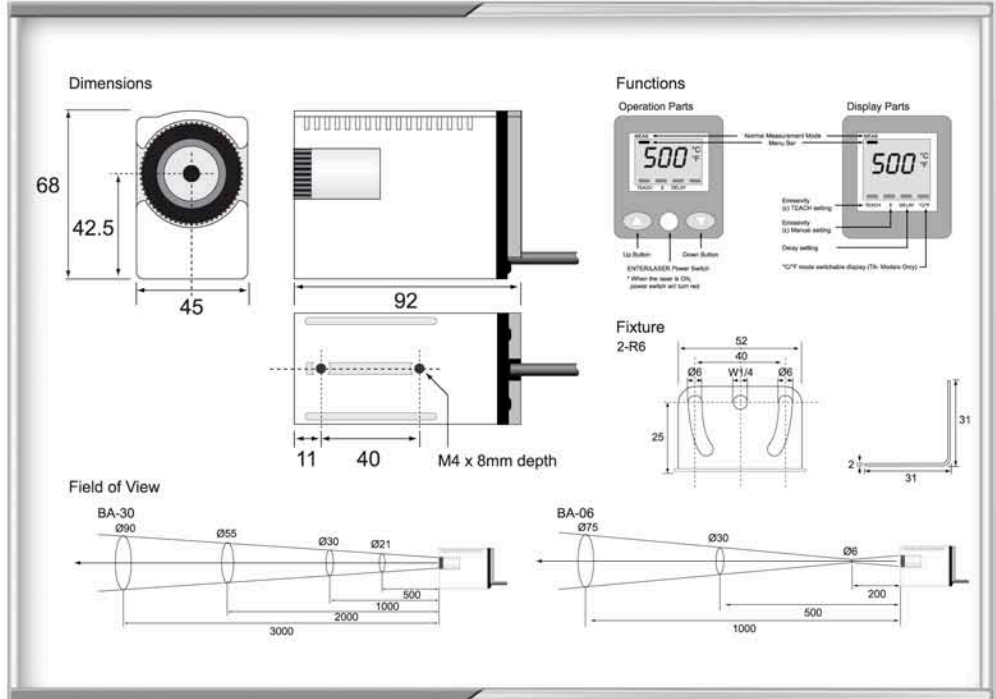
BS SERIES



Sensor Head			
Model	BS-02T	BS-05T	BS-30T
Field of View	ø2/50mm	ø5/100mm	ø30/500mm
Optics	Silicon Lens		
Sensing Element	Thermopile/8 to 14µm		
Sighting Method	Coaxial laser marker (Class 2)	NA	
Ambient Temperature	0 - 55°C	0 to 65°C (0 to 150° with optional cooling jacket)	
Ambient Humidity	35 to 85% RH (without dew condensation)		
Storage Temperature	-20 - 60°C	-20 - 70°C	
Vibration Resistance	3G (20 - 50Hz, in accordance with JIS C0911)		
Water Resistance	IP67		
Weight	400g	300g	
Amplifier			
Model	BS-A	BS-V	
Measuring Range	0 - 500°C		
Display Range	-20 - 520°C		
Response Time	500msec/90%		
Accuracy (ε 1.0)	± 1% of reading value or ± 2°C ± 1 digit, whichever is greater		
Repeatability	± 1°C of reading value		
Display Resolution	1°C		
Analog Output	1mV/°C	4-20mA	
Output Resolution	0.2°C		
Emissivity Ratio (ε) Adjustment	0.10 - 1.20 (0.01/ 1 step)		
Delay Setting	1 (0.5sec.) - 200 (approx. 10 sec.)		
Power Supply/ Current Consumption	12 - 24 VDC ± 10%, 100mA max.		
Ambient Temperature	0 - 50°C		
Ambient Humidity	35 - 85% RH (without dew condensation)		
Storage Temperature	-10 - 60°C		
Vibration Resistance	3G (20 - 50Hz, according to JIS C0911)		
Water Resistance	IP65		
Weight	320g		



BA SERIES



BA-AP1
AIR PURGE COLLAR (OPTION)

Air purge collar is used to keep dust, moisture, airborne particles and vapors away from the lens.

SPECIFICATIONS

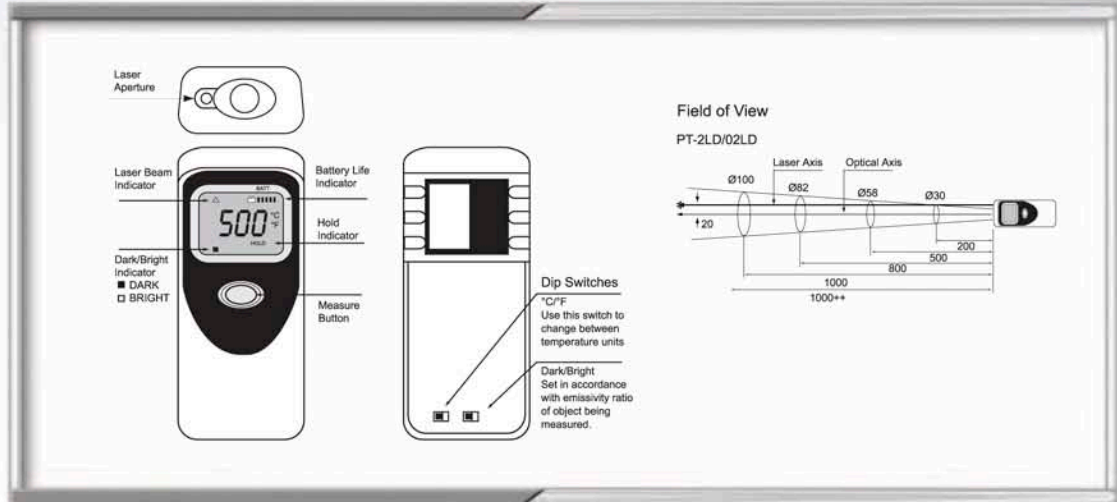
Air Pressure: Max. 0.2MPa(2kgf/cm²)
Air Flow: 50 to 150N/min
Ambient Temp.: 0 to 50°C
Conduit Aperture: G(PF)1/8
Weight: approx. 90g
Material: Aluminum

Model	BA-06TA	BA-06TC	BA-06TV	BA-30TA	BA-30TC	BA-30TV
Measuring Range	0 - 500°C					
Display Range	-20 - 520°C					
Field of View	ø6mm/200mm			ø30mm/1000mm		
Optics	Silicon Lens					
Sensing Element	Thermopile / 8~14µm					
Response Time	500ms/90%					
Accuracy	± 1% of reading value or ± 2°C ± 1 digit, whichever is greater (ε≈1.0)					
Repeatability	± 1°C of reading value					
Display Resolution	1°C					
Analog/Relay Output	4-20mA	350mA-DC 100V Max.	1mV/°C	4-20mA	350mA-DC 100V Max.	1mV/°C
Output Rewal/Resolution	0.2°C	50msec.	0.2°C	0.2°C	50msec.	0.2°C
Sighting Method	Coaxial laser marker (Class 2)					
Emissivity Ratio (ε) Adjustment	0.10 - 1.20 (0.01/ 1 step)					
Delay Function	1 (0.5sec.) - 200 (approx. 10 sec.)					
Power Supply/ Current Consumption	12 - 24 VDC ± 10%, 150mA max.					
Ambient Temperature	0 - 50°C					
Ambient Humidity	35 - 85% RH (without dew condensation)					
Storage Temperature	-10 - 60°C					
Vibration Resistance	3G (20 - 50Hz, according to JIS C0911)					
Water Resistance	IP65					
Materials	Ring case: glass-containing PBT, Rear cover: PC					
Weight	350g	360g	350g	350g	360g	350g



HTM electronics

PT SERIES



Model	PT-02LD	PT-02LD
Measuring Range	-40 to 200°C (-40 to 392°F)	-40 - 510°C (-40 to 950°F)
Display Range	-50 to 230°C (-58 to 446°F)	-51 -538°C (-60 to 1000°F)
Field of View	ø100/1000mm (D: S=10:1) square spot	
Optics	mirror / silicon filter	
Sensing Element / Wavelength	Thermopile/8 to 14µm	
Response Time	1.5sec./90%	0.8sec./90%
Accuracy (ε=0.95, @ 25°C ±3°C)	Less than 0°C : ±3°C; 0°C to 200°C: ±2°C (Less than 32°F: ±6°F; 32 to 400°F: ±4°F)	Less than 0°C : ±3°C; 0°C to 200°C: ±2°C; Above 200°C: ±1% of reading value (Less than 32°F: ±6°F; 32 to 400°F: ±4°F) Above 400°C: ±1% of reading value
Repeatability	±0.5°C (1°F) of reading value	±1°C (2°F) of reading value
Display Resolution	0.1°C/°F (Above 200°C/°F:1°C/°F)	1°C/F
Sighting Method	Blinking laser marker	
Emissivity Ratio (ε) Adjustment	0.95/0.7 (Switchable)	
Back-light Function	Available	
Temperature Unit	°C/°F (Switchable)	
Power Supply	AA (Alkaline battery) x 2pcs.	
Battery Life (Alkaline)	Approx. 30 hours	
Ambient Temperature	0 - 50°C (32 - 120°F)	
Ambient Humidity	35 - 85%RH (Without dew condensation)	
Storage Temperature	-10 - 60°C (14 to 140°F)	
Weight	180g	

WWW.HTM-SENSORS.COM

HTM electronics industries

8651 Buffalo Avenue, Niagara Falls, NY 14304
 (800) 644-1756 Fax: (888) 283-2127
www.htm-sensors.com / custserv@htm-sensors.com